



Tel: (800) 543-4455

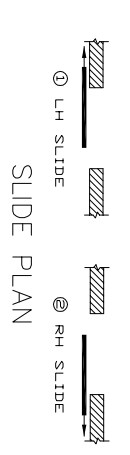
FAX: (800) 978-6570

www.chasedoors.com

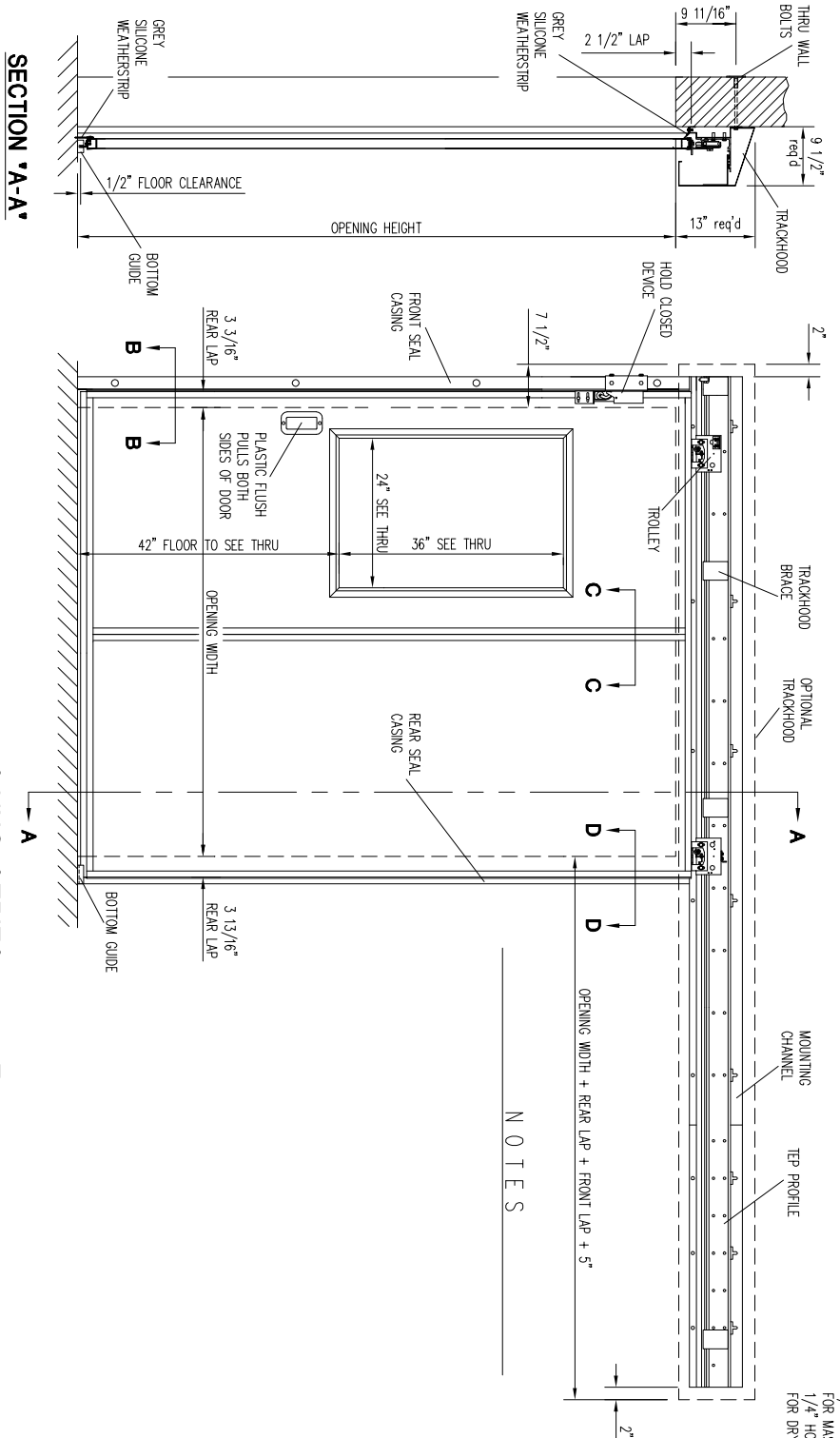
Chase Doors

ARCH:	CUSTOMER NO:	NO. PRINTS	FOR	DATE	REVISED
G.C.	CHASE ORDER NO:				
JOB	DRAWN BY:				
SOLD TO	SHEET ____ OF ____				

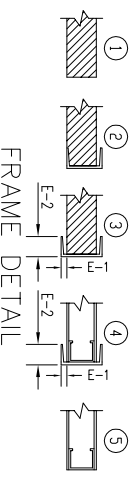
TAG MARK	DOOR TYPE	OPENING		SLIDE PLAN	FINISH DOOR		NO. OF PANELS	WALL THICKNESS	FRAME DETAIL	E-1	E-2	CLEARANCE REQ'D			GLASS LITE	TRACK-HOOD	WEATHER-STRIPPING	REMARKS
		WIDTH	HEIGHT		WIDTH	HEIGHT						CLS. SIDE	OPNG. SIDE	HEAD				



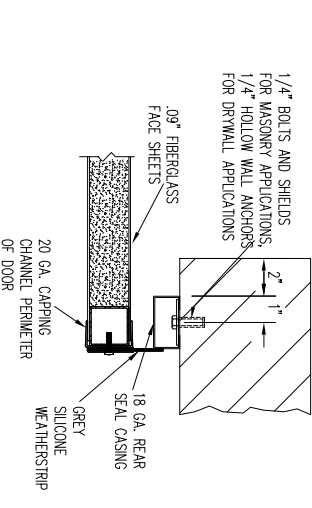
SAINO SERIES 67000F NON-LABELED DOOR WITH HOLD CLOSED DEVICE MANUAL DOOR



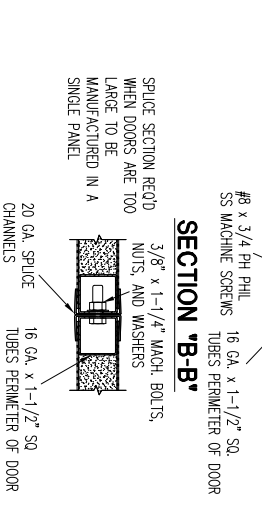
NOTES



SECTION 'D-D'



SECTION 'B-B'



SECTION 'C-C'

