

INFITTING SINGLE SWING DOOR

DOOR STYLE:

INFITTING W/ FRAME

DOOR FRAME TYPE:

THREE SIDED FACE FRAME	FOUR SIDED FACE FRAME
THREE SIDED THRU WALL	FOUR SIDED THRU WALL FRAME
THREE SIDED MIRROR FRAME	FOUR SIDED MIRROR FRAME

CAREFREE THICKNESS TYPE:

THRU FRAME:	1" CAREFREE	1.5" CAREFREE
MIRROR FRAME:	1" CAREFREE	1.5" CAREFREE

OPENING SIZE:

FINISHED OPENING WIDTH (W.I.C.):	
FINISHED OPENING HEIGHT (H.I.C.):	WALL THICKNESS:
FLOOR/RAMP HEIGHT -EXTERNAL:	INTERNAL:

OPENING METHOD:

HINGED ON LEFT HINGED ON RIGHT

APPLICATION:

COOLER FREEZER 4" THICK 6" THICK
 (FREEZER DOORS COME STANDARD WITH HEATED FRAME AND BOTTOM BAR HEAT)

ENTER ROOM TEMPERATURES:

TEMPERATURE WALL SIDE: F (PLEASE PROVIDE)
 TEMPERATURE HINGE SIDE: F (PLEASE PROVIDE)

CLADDING - HINGE SIDE:

EMBOSSSED WHITE GALVALUME	SMOOTH WHITE GALVALUME
EMBOSSSED GALVALUME	SMOOTH GALVALUME
EMBOSSSED WHITE ALUMINUM	STAINLESS STEEL, #4 FINISH
EMBOSSSED MILL ALUMINUM	EMBOSSSED STAINLESS STEEL
CUSTOM	

CLADDING - WALL SIDE:

EMBOSSSED WHITE GALVALUME	SMOOTH WHITE GALVALUME
EMBOSSSED GALVALUME	SMOOTH GALVALUME
EMBOSSSED WHITE ALUMINUM	STAINLESS STEEL, #4 FINISH
EMBOSSSED MILL ALUMINUM	EMBOSSSED STAINLESS STEEL
CUSTOM	

PULL SIDE:

SOFT TOUCH W/ PADLOCKING	CHROME K-56 W/ PADLOCKING
SOFT TOUCH W/ KEY LOCK	CHROME K-56 W/ KEY LOCK
STAINLESS W/ PADLOCKING	WHITE K-56 W/ PADLOCKING
STAINLESS W/ KEY LOCK	WHITE K-56 W/ KEY LOCK
SS LEVER TRIM W/ CYLINDER	CHROME K-56 DOUBLE W/ PADLOCKING
LEVER TRIM	CHROME K-56 DOUBLE W/ KEY LOCK
LEVER TRIM W/ CYLINDER	
OTHER:	

PUSH SIDE:

STANDARD INSIDE RELEASE	RECESSED INSIDE RELEASE
488C PUSH BAR	PANIC DEVICE 2200
STAINLESS STEEL PANIC DEVICE	PANIC DEVICE W/ ELECTRIC STRIKE
STANDARD PUSH BAR	SS PANIC DEVICE W/ ELECTRIC STRIKE
STAINLESS STEEL PUSH BAR	OTHER:

HINGES:

STANDARD CHROME	KASONIZED STRAP HINGES
STAINLESS STEEL HINGES	STANDARD WHITE
HINGE QTY:	

DOOR CLOSER:

NONE (STD)	SPRING HINGE
OFFSET, STANDARD DUTY	HEAVY DUTY
STAINLESS STEEL HEAVY DUTY	

VISION WINDOW:

HEATED	NON-HEATED	14" x 14"	14" x 24"
--------	------------	-----------	-----------

KICK PLATE - HINGE SIDE:

1/16" DIAMOND PLATE	1/8" DIAMOND PLATE	STAINLESS STEEL 20 GA
STAINLESS STEEL 16 GA	GALVALUME STEEL 16 GA	
12" TALL	24" TALL	36" TALL 46" TALL 48" TALL
72" TALL	OTHER:	

KICK PLATE - WALL SIDE:

1/16" DIAMOND PLATE	1/8" DIAMOND PLATE	STAINLESS STEEL 20 GA
STAINLESS STEEL 16 GA	GALVALUME STEEL 16 GA	
12" TALL	24" TALL	36" TALL 46" TALL 48" TALL
72" TALL	OTHER:	

THRESHOLD:

HEATED	NON-HEATED
6 3/4" ALUMINUM	6 3/4" STAINLESS STEEL
9 1/2" ALUMINUM	9 1/2" STAINLESS STEEL

RAIHOOD:

POWDER COATED GRAY	POWDER COATED WHITE
STAINLESS STEEL 201-#4	MATCH CLADDING
CUSTOM	

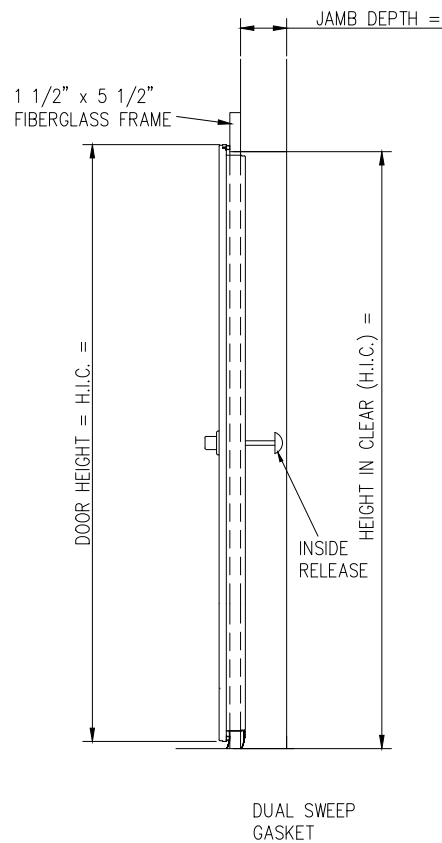
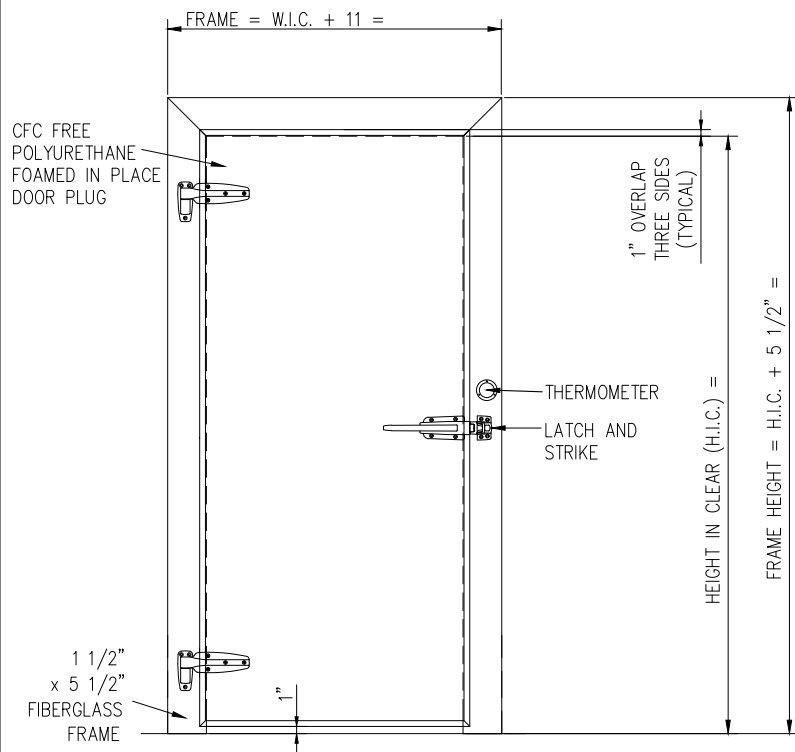
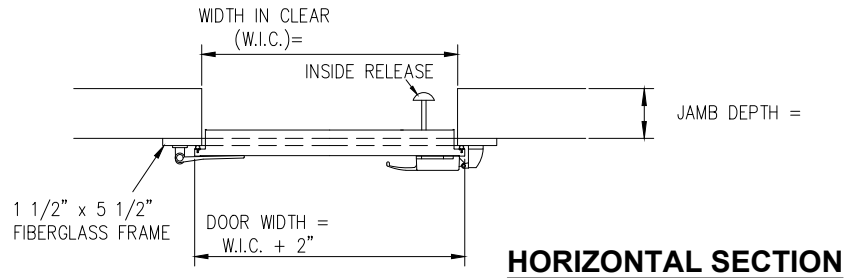
- 1) Lead times begin once all full and final details of drawings are approved.
- 2) All full and final details need approved within 5 business days to secure the quoted lead time. If not received within 5 business days, a new lead time will be provided once the final drawings are approved.



Tel: (800) 543-4455 www.chasedoors.com FAX: (800) 978-6570

JOB		CUSTOMER NO:		NO. PRINTS	FOR	DATE	REVISED
			ORDER NO:				
SOLD TO		DRAWN BY:					
		SHEET	OF				

INFITTING SINGLE SWING DOOR



JOB		CUSTOMER NO:		NO. PRINTS	FOR	DATE	REVISED
		ORDER NO:					
SOLD TO		DRAWN BY:					
		SHEET	OF				