

# INFITTING DOUBLE SWING DOOR

**DOOR STYLE:**

INFITTING W/ FRAME

**DOOR FRAME TYPE:**

THREE SIDED FACE FRAME	FOUR SIDED FACE FRAME
THREE SIDED THRU WALL	FOUR SIDED THRU WALL FRAME
THREE SIDED MIRROR FRAME	FOUR SIDED MIRROR FRAME

**CAREFREE THICKNESS TYPE:**

THRU FRAME:	1" CAREFREE	1.5" CAREFREE
MIRROR FRAME:	1" CAREFREE	1.5" CAREFREE

**OPENING SIZE:**

FINISHED OPENING WIDTH (W.I.C.):	
FINISHED OPENING HEIGHT (H.I.C.):	WALL THICKNESS:
FLOOR/RAMP HEIGHT -EXTERNAL:	INTERNAL:

**OPENING METHOD:**

LEFT LEAF ACTIVE                      RIGHT LEAF ACTIVE

**APPLICATION:**

COOLER                      FREEZER                      4" THICK                      6" THICK  
 (FREEZER DOORS COME STANDARD WITH HEATED FRAME AND BOTTOM BAR HEAT)

**ENTER ROOM TEMPERATURES:**

TEMPERATURE WALL SIDE:                      F (PLEASE PROVIDE)  
 TEMPERATURE HINGE SIDE:                      F (PLEASE PROVIDE)

**CLADDING - HINGE SIDE:**

EMBOSSD WHITE GALVALUME	SMOOTH WHITE GALVALUME
EMBOSSD GALVALUME	SMOOTH GALVALUME
EMBOSSD WHITE ALUMINUM	STAINLESS STEEL, #4 FINISH
EMBOSSD MILL ALUMINUM	EMBOSSD STAINLESS STEEL
CUSTOM	

**CLADDING - WALL SIDE:**

EMBOSSD WHITE GALVALUME	SMOOTH WHITE GALVALUME
EMBOSSD GALVALUME	SMOOTH GALVALUME
EMBOSSD WHITE ALUMINUM	STAINLESS STEEL, #4 FINISH
EMBOSSD MILL ALUMINUM	EMBOSSD STAINLESS STEEL
CUSTOM	

**PULL SIDE:**

SOFT TOUCH W/ PADLOCKING	CHROME K-56 W/ PADLOCKING
SOFT TOUCH W/ KEY LOCK	CHROME K-56 W/ KEY LOCK
STAINLESS W/ PADLOCKING	WHITE K-56 W/ PADLOCKING
STAINLESS W/ KEY LOCK	WHITE K-56 W/ KEY LOCK
SS LEVER TRIM W/ CYLINDER	CHROME K-56 DOUBLE W/ PADLOCKING
LEVER TRIM	CHROME K-56 DOUBLE W/ KEY LOCK
LEVER TRIM W/ CYLINDER	
OTHER:	

**PUSH SIDE:**

STANDARD INSIDE RELEASE	RECESSED INSIDE RELEASE
488C PUSH BAR	PANIC DEVICE 2200
STAINLESS STEEL PANIC DEVICE	
STANDARD PUSH BAR	
STAINLESS STEEL PUSH BAR	OTHER:

**HINGES:**

STANDARD CHROME	KASONIZED STRAP HINGES
STAINLESS STEEL HINGES	STANDARD WHITE
HINGE QTY:	

**DOOR CLOSER - ACTIVE LEAF:**

NONE (STD)	SPRING HINGE
OFFSET, STANDARD DUTY	HEAVY DUTY
STAINLESS STEEL HEAVY DUTY	

**DOOR CLOSER - INACTIVE LEAF:**

NONE (STD)	SPRING HINGE
OFFSET, STANDARD DUTY	HEAVY DUTY
STAINLESS STEEL HEAVY DUTY	

**VISION WINDOW - ACTIVE LEAF:**

HEATED	NON-HEATED	14" x 14"	14" x 24"
--------	------------	-----------	-----------

**VISION WINDOW - INACTIVE LEAF:**

HEATED	NON-HEATED	14" x 14"	14" x 24"
--------	------------	-----------	-----------

**KICK PLATE - HINGE SIDE:**

1/16" DIAMOND PLATE	1/8" DIAMOND PLATE	STAINLESS STEEL 20 GA
STAINLESS STEEL 16 GA	GALVALUME STEEL 16 GA	
12" TALL	24" TALL	36" TALL    46" TALL    48" TALL
72" TALL	OTHER:	

**KICK PLATE - WALL SIDE:**

1/16" DIAMOND PLATE	1/8" DIAMOND PLATE	STAINLESS STEEL 20 GA
STAINLESS STEEL 16 GA	GALVALUME STEEL 16 GA	
12" TALL	24" TALL	36" TALL    46" TALL    48" TALL
72" TALL	OTHER:	

**THRESHOLD:**

HEATED	NON-HEATED
6 3/4" ALUMINUM	6 3/4" STAINLESS STEEL
9 1/2" ALUMINUM	9 1/2" STAINLESS STEEL

**RAINHOOD:**

POWDER COATED GRAY	POWDER COATED WHITE
STAINLESS STEEL 201-#4	MATCH CLADDING
CUSTOM	



Tel: (800) 543-4455    www.chasedoors.com    FAX: (800) 978-6570

JOB		CUSTOMER NO:		NO. PRINTS	FOR	DATE	REVISED
			ORDER NO:				
SOLD TO		DRAWN BY:					
		SHEET	OF				

# INFITTING DOUBLE SWING DOOR

**FASTENERS:**

THROUGH WALL BOLTS, ZINC  
 THROUGH WALL BOLTS, SS  
 LAG BOLTS  
 SS LAG BOLTS  
 CUSTOM

**HANDLE - ACTIVE LEAF:**

FRONT SIDE HANDLE                      FRONT SIDE HANDLE STAINLESS STEEL  
 WALL SIDE HANDLE                      WALL SIDE HANDLE STAINLESS STEEL

**HANDLE - INACTIVE LEAF:**

FRONT SIDE HANDLE                      FRONT SIDE HANDLE STAINLESS STEEL  
 WALL SIDE HANDLE                      WALL SIDE HANDLE STAINLESS STEEL

**ADDITIONAL OPTIONS:**

JAMB WALL CAPS                      JAMB WALL CAPS WITH INSERTS  
 OUTER WIDTH:                      OUTER HEIGHT:                      INSET:  
 METAL WRAPPED FRP FRAME  
 METAL WRAPPED THRU WALL FRAME  
 METAL WRAPPED MIRROR IMAGE FRAME  
 SPRING BOLT  
 CANE BOLT - FRONT  
 CANE BOLT - BACK  
 HEAT IN DOOR PANEL (RECOMMENDED FOR FREEZERS COLDER THAN -20 DEG. F.)  
 LIGHT SWITCH  
 THERMOMETER  
 TAMPER RESISTANT FASTENERS  
 BOTTOM ASSIST WHEEL - ACTIVE LEAF  
 BOTTOM ASSIST WHEEL - INACTIVE LEAF

**CUT DOWN:**

LEFT JAMB                      RIGHT JAMB                      HEADER

**APPLICATION (REQUIRED):**

- |  |     |    |
|--|-----|----|
| 1. IS THIS DOOR ON A BOX GREATER THAN 3000 SQ FEET?  | YES | NO |
| 2. IF NO, IS BOX LOCATED IN COLD STORAGE FACILITY/ATMOSPHERE WITH FLOOR AREA 3000 SQ FEET OR LARGER? (A/C IS NOT COLD STORAGE) | YES | NO |
| 3. DOES THIS APPLICATION INVOLVE MEDICAL, SCIENTIFIC, OR RESEARCH FACILITIES?  | YES | NO |

- 1) Lead times begin once all full and final details of drawings are approved.  
 2) All full and final details need approved within 5 business days to secure the quoted lead time. If not received within 5 business days, a new lead time will be provided once the final drawings are approved.

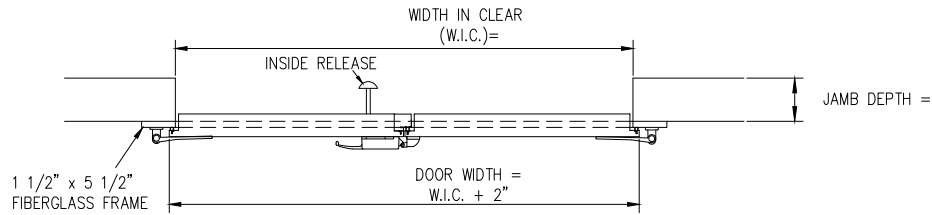
**SPECIAL INSTRUCTIONS TO MANUFACTURER:**



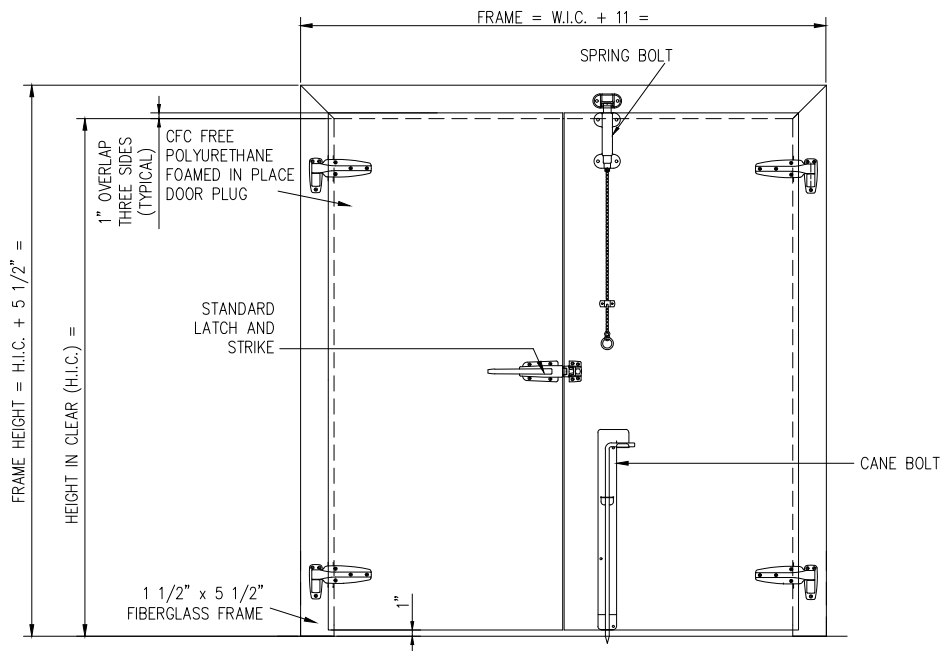
Tel: (800) 543-4455    www.chasedoors.com    FAX: (800) 978-6570

JOB		CUSTOMER NO:		NO. PRINTS	FOR	DATE	REVISED
		ORDER NO:					
SOLD TO		DRAWN BY:					
		SHEET	OF				

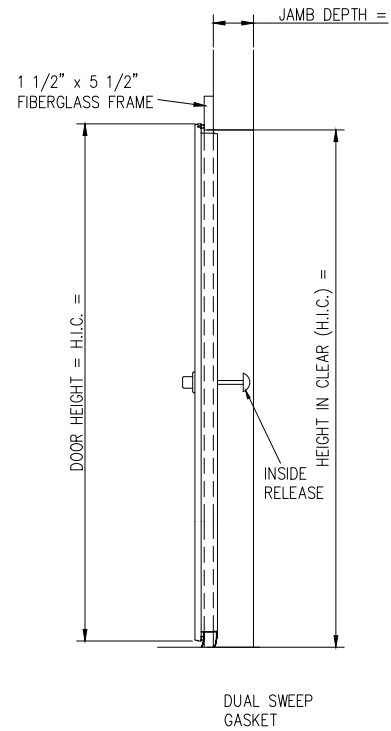
# INFITTING DOUBLE SWING DOOR



**HORIZONTAL SECTION**



**FRONT ELEVATION**



**SIDE VIEW SECTION**



Tel: (800) 543-4455    www.chasedoors.com    FAX: (800) 978-6570

JOB		CUSTOMER NO:		NO. PRINTS	FOR	DATE	REVISED
			ORDER NO:				
SOLD TO		DRAWN BY:					
		SHEET	OF				