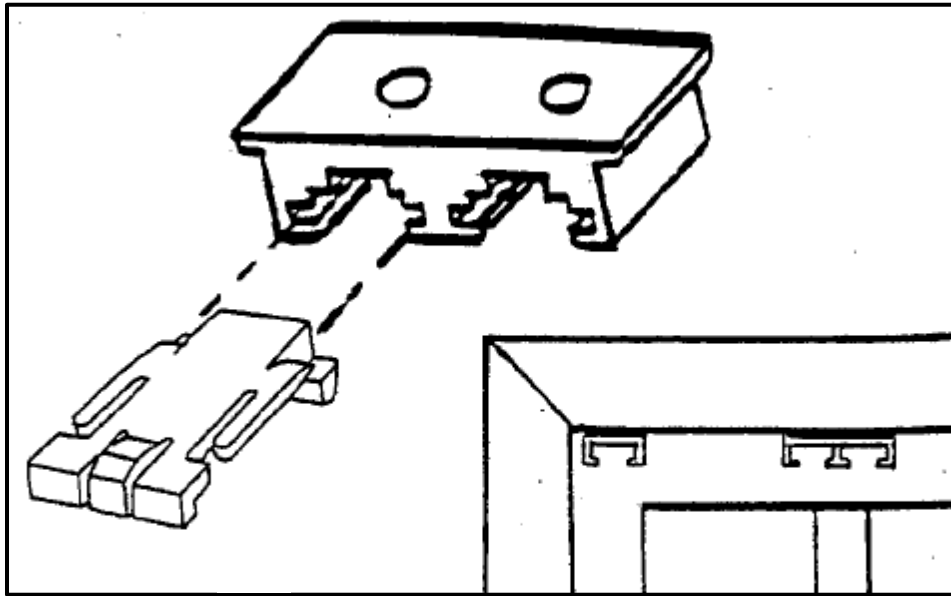


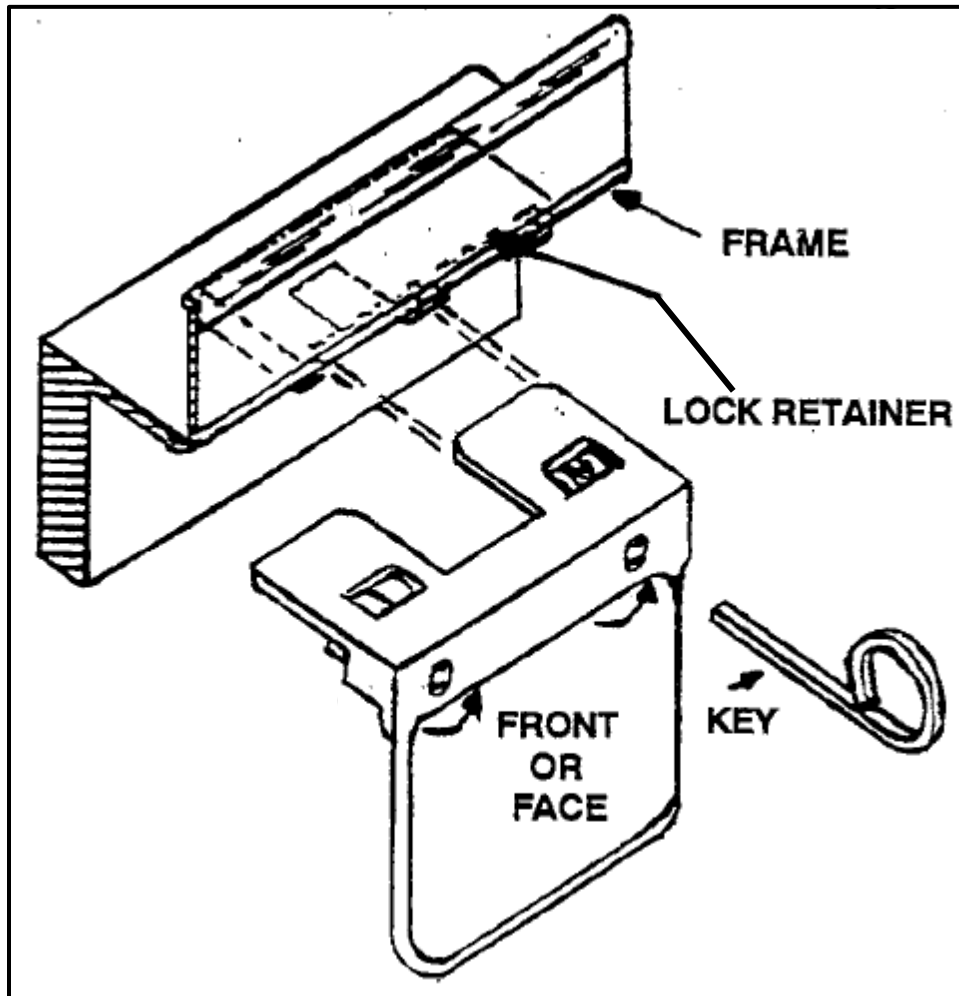
POM Lock Installation Instructions

1. POM Lock Installation Instructions

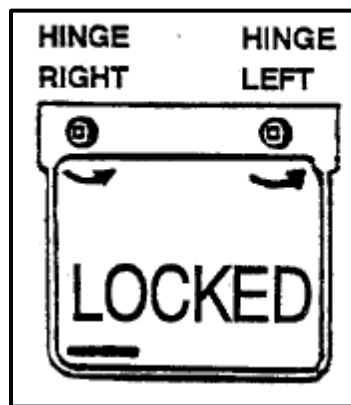
1. Remove the dummy plug from the hinge pin access plate on top of the frame on the handle side of the door.



2. The POM Lock inserts into the hinge pin access plate.



3. Insert the key into the POM Lock square key hole, then turn the key counter-clockwise to lock.
4. Remove the key.
5. To remove the POM Lock, insert the key into the square key hole and turn the key clockwise.
6. To remove the lock, pull the lock straight out.
7. Replace the dummy plug.
8. Only lock the side that inserts into the hinge pin access plate.
9. Facing the POM Lock; the lock on the right side is for left-hinged doors, and the lock on the left side is for right-hinged doors.



10. The POM Lock always installs in the frame, over the top of the handle rail side of the door.
11. To retrofit the POM Lock on existing doors in the field, contact Thermoseal Customer Service or the local Sales Representative in your area for information and instruction sheets.