

SPEC SHEET S.S. SCP-CAFÉ/GATE WITH POST

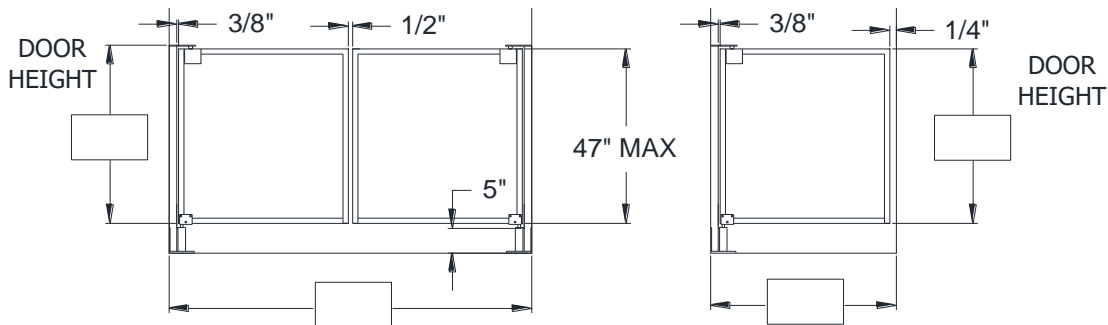
Quote/Order# _____ Company Name: _____

Attention: _____ Email: _____

Phone#: _____ Job Name: _____

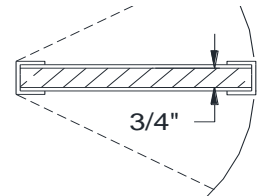
Fill in either Door Height or Post Height, and Opening Width Below. ONLY FILL OUT ONE SET OF MEASUREMENTS

FOR USE IF DOOR HEIGHT IS KNOWN:

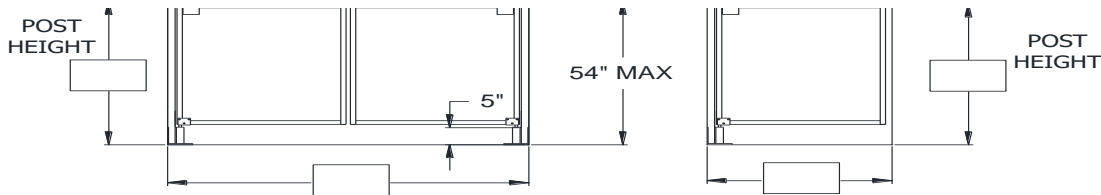


FOR USE IF POST OR OPENING HEIGHT IS KNOWN:

IF DOOR SIZING WAS FILLED IN ABOVE, DO NOT SPECIFY NUMBERS BELOW



* Single Leaf-- Specify Left or Right Hinge



SPECIFICATIONS: Door body 3/4" exterior grade solid wood core with stainless steel panels both sides, and stainless steel edge trim. Straight cut only. 1-1/2" square steel free standing gate post cut to order.

INSTALLATION DETAILS: Jambs must be plumb and square. Minimum double 2 x 4 inch wood construction or equivalent. Hollow metal jambs should be reinforced at hinge locations.

SPECIFIC DETAILS FOR DOOR CONSTRUCTION:

DOOR FINISH: Stainless Steel Other: _____

OTHER SPECIFICATIONS: _____

APPROVED BY: _____

DATE: _____

Eliason Corporation

DOCUMENT NOT CONTROLLED WHEN PRINTED