

FCG-1 ORDER FROM

Quote/Order# _____

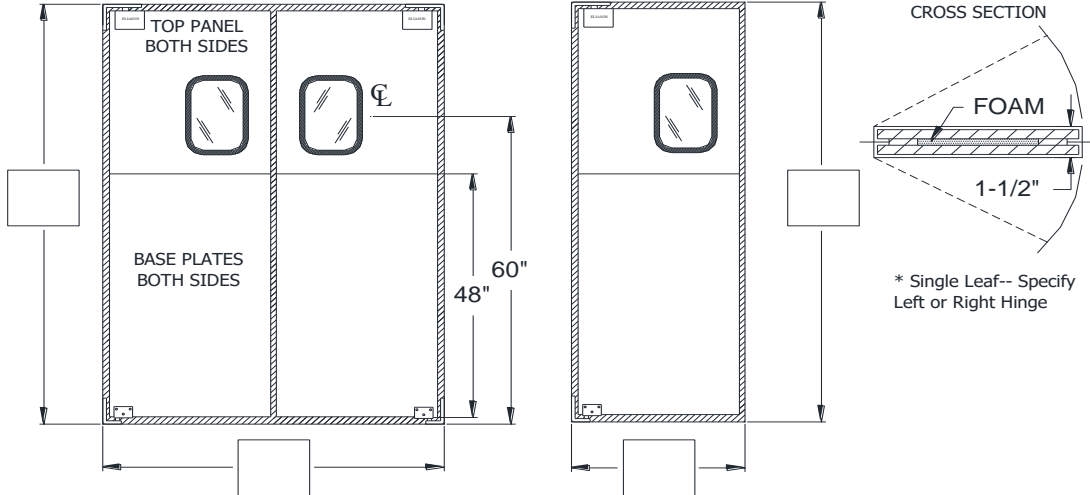
Company Name: _____

Attention: _____

Email: _____

Phone#: _____

Job Name: _____



Fill in Opening Size in the Blanks Provided Above



STANDARD SPECIFICATIONS: Door body is a 1-1/2" composite wood inner door frame with foam core (No foam on door widths 23" and under), fully gasketed, metal clad. Full height stainless steel panels, both sides including hinge covers. 9" x 14" clear acrylic safety window set in black rubber molding. Door assembly includes the original "NO SPRING" Easy Swing® hinges and both 1/4" - 20 x 1" thread cutting screws and #14 -1-1/2" sheet metal/wood screws for jamb by others.

INSTALLATION DETAILS: Jambs must be plumb and square. Minimum double 2 x 4 inch wood construction or equivalent. Hollow metal jambs should be reinforced at hinge locations.

SPECIFIC DETAILS FOR DOOR CONSTRUCTION:

WINDOW: Standard 9" X 14" In Black Rubber Molding, Up 60" to Center of Window from Floor
 Other: _____

JAMB GUARD: 3" X 9" 5" X 18"

PLATE: Specify Height: _____
 Color/Material: Stainless Steel Galvanized Steel Black ABS Other _____

BUMPER: Standard Black Tear Drop Polyethylene, Height: 12 18 24 30 36 42
 Aluminum Bumper Strip:

OTHER SPECIFICATIONS: _____

APPROVED BY: _____

DATE: _____

Eliason Corporation

DOCUMENT NOT CONTROLLED WHEN PRINTED