

EHH-3 ORDER FROM

Quote/Order# _____

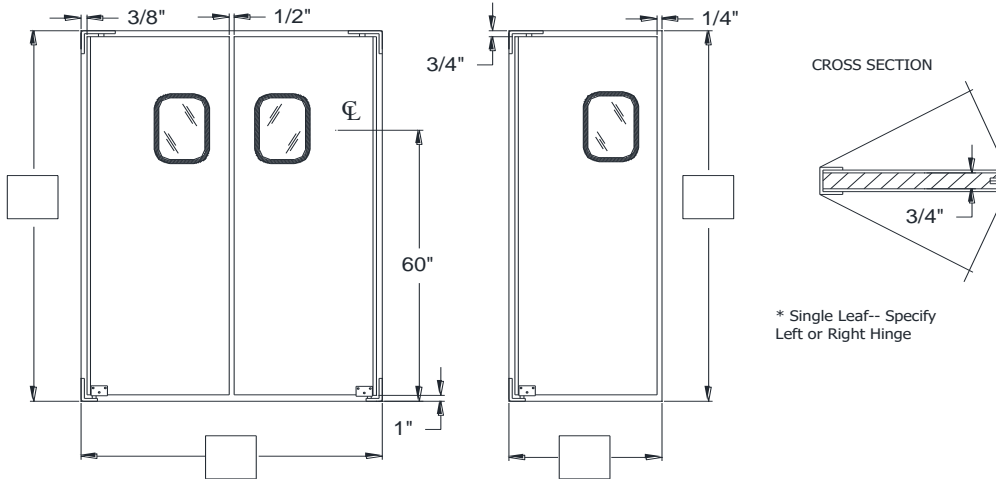
Company Name: _____

Attention: _____

Email: _____

Phone#: _____

Job Name: _____



Fill in Opening Size in the Blanks Provided Above



STANDARD SPECIFICATIONS: Door body 3/4" moisture resistant composite wood core with 20GA. stainless steel panels on both sides. 9" x 14" Flush window. Door assembly includes the original "HIDDEN HARDWARE" Eliason Swing® hinges and both 1/4" - 20 x 1" thread cutting screws and #14-1-1/2" sheet metal/wood screws for jamb by others.

INSTALLATION DETAILS: Jambs must be plumb and square. Minimum double 2 x 4 inch wood construction or equivalent. Hollow metal jambs should be reinforced at hinge locations.

SPECIFIC DETAILS FOR DOOR CONSTRUCTION:

WINDOW: Standard 9" X 14" Flush Window, Up 60" to Center of Window from Floor
 Other: _____

PLATE: Specify Height: _____
 Color/Material: Stainless Steel Galvanized Steel Black ABS Other _____

BUMPER: Aluminum Bumper Strip:

OTHER SPECIFICATIONS: _____

APPROVED BY: _____

DATE: _____

Eliason Corporation

DOCUMENT NOT CONTROLLED WHEN PRINTED